

LakeEZE[®]
BY KROEGER MARINE

Stow & Go[®]
ASSEMBLY INSTRUCTIONS



HAND-CRAFTED, AMERICAN MADE

Built for Life on the Water

Thank you for your purchase!

Our focus at Kroeger Marine has been simple—to build the highest quality, handcrafted lake products on the market. Our innovative solutions deliver both form and function, a fine balance between design and first-class aesthetics. Every LakeEze® product is designed with you in mind.

We hope you enjoy your LakeEze® Stow & Go® for years to come. - Kroeger Marine

For questions contact us at 864-581-3469 or email sales@lakeeze.com



Scan the QR code to view our installation tutorial video.

Important Safety Instructions

- It is recommended that this product be assembled by ages 18+.
- Use personal protective equipment (not included) when operating power tools.
- Do not expose power tools to water. Use a GFCI protected power supply when operating near water.
- Ensure that your decking is in good condition and properly supported and fastened to your dock frame
- Product must be assembled in the instructed order to prevent injury.

Usage & Maintenance

- When lowering the LakeEze® Stow and Go® into the water ensure area is clear of swimmers and boat traffic.
- Do not use recreation watercraft in inclement weather.
- Do not exceed capacity of 300 lbs on Stow and Go®.
- Do not jump on or from Stow and Go®.
- Never hang from Stow and Go®.
- Always use caution when entering or exiting Stow and Go®.
- Stow and Go® is not designed for unsupervised children.
- Always keep Stow and Go® in the upright angled position when not in use.
- Be aware of pinch points when raising and lowering Stow and Go®.
- Check that all fasteners are tight before using.
- Check for electrical current before using Stow and Go®.
- Be aware of toe-catches around Stow and Go® mounting points.

Tools

Tools Needed for Installation:

- 7/16" Wrench or Socket
- 9/16" Wrench or Socket
- 3/4" Wrench
- 5/32", 7/32", and 5/16" Allen Wrench
- Drill with 3/8" Chuck
- Socket/ Ratchet Wrench
- Impact Driver
- 3/8" Drill Bit
- Drill/Impact Socket Adapter
- Razor Knife
- Pencil
- Measuring Tape

Packing List

Parts:

- Step Side Rail "H-Rail" (x2)
- Dock Upright Bracket (x2)
- Plastic Step (x1)
- Connector Rod (x4)
- Half Loop (x1)
- Full Loop (x1)
- Retention Strap Kit (x1)
- Winch (x1)
- Winch Post (x1)

Bag A:

- 1 1/4-20 x 1 3/4" Pan Head Bolt (x4)
- 1/4" Flat Washer (x4)
- 1/4-20 Brass Lock Nut (x4)
- 3/8" Flat Washer (x4)
- 3/8-16 Brass Nylock Nut (x4)
- 3/8-16 x 2" Pan Head Bolt (x4)

Bag B:

- 1/2-13 x 2 1/2" Pan Head Bolt (x8)

Bag C:

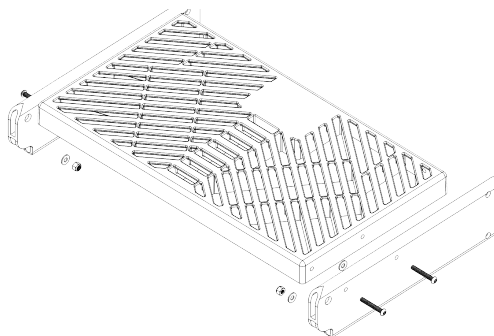
- 3/8-16 x 4" Pan Head Bolt (x6)
- 3/8-16 x 2" Pan Head Bolt (x2)
- 3/8" Flat Washer (x8)
- 3/8-16 Brass Lock Nut (x8)

Bag D:

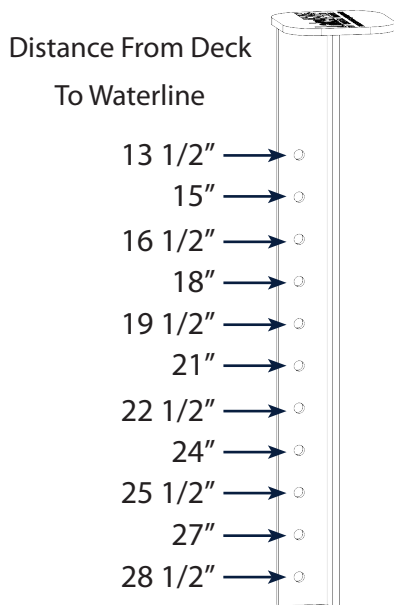
- 1/2 x 3 1/2" Pan Head Bolt (x2)
- 1/2-13 Brass Lock Nut (x2)
- 1/2" Delrin Spacer (x2)
- 1/2" Flat Washer (x2)
- 1/2" Eyebolt w/ SS Nut (x1)

Assembly

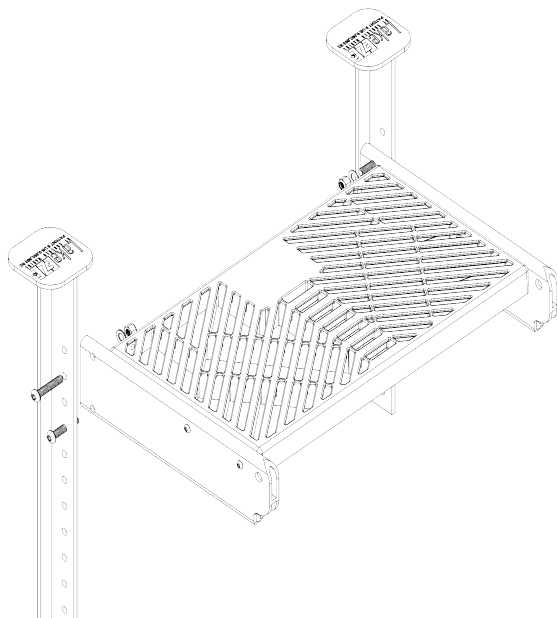
1) Arrange rails so that the steps will be installed facing up (notch cuts on the bottom). Bolt the step onto the "H" Rails using 1/4" hardware from bag A.



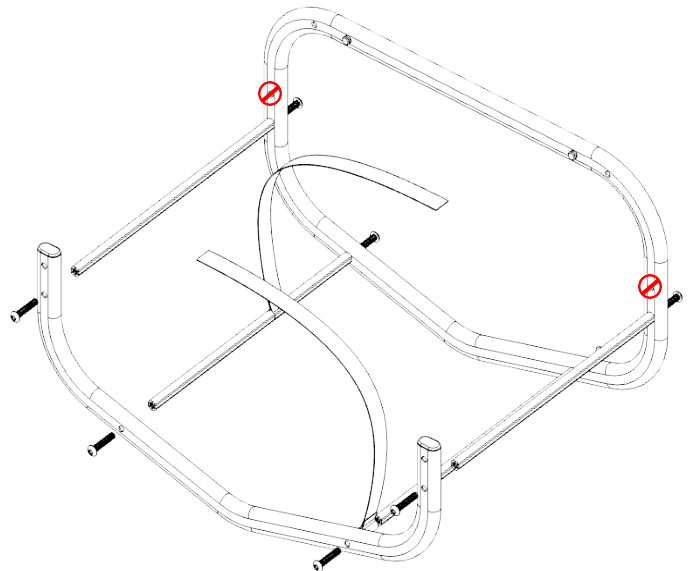
2) Measure the distance from your decking to the waterline. Use the image below to find the corresponding hole for the top of the step assembly.



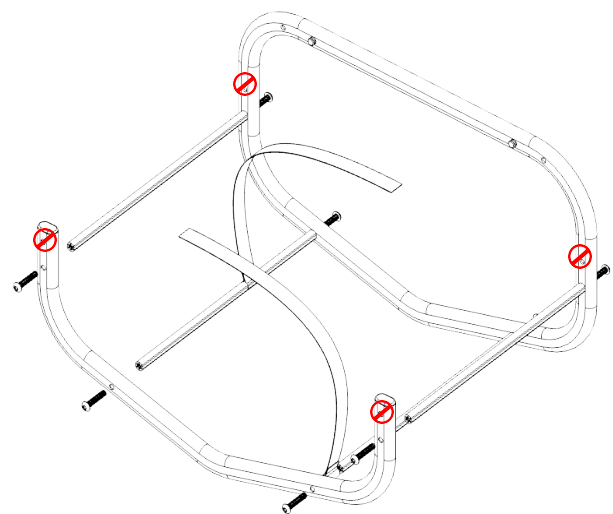
3) Bolt dock Upright Brackets to the inside of the step "H" Rails using the 2" bolts from bag A. (Note: Washers go under the lock nuts.) **Set this assembly aside until installation.**



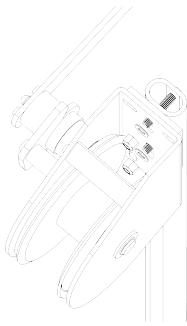
4) Attach the Connector Rods to the Full Loop on the side with the magnetic studs using the 2 1/2" bolts from bag B and a 3/4" wrench. Slide the Retention Straps over lower Connector Rods with push release on dominant hand side. **(Note: Leave the marked holes empty for connecting to step assembly.)**



5) Connect the Half Loop to the Full Loop assembly using the 2 1/2" bolts from bag B and a 3/4" wrench. **(Note: Leave the marked holes empty for connecting to step assembly.)**



6) Bolt winch to winch post using the 2" bolts from bag C. Flip the Winch based on which side of the assembly the bow of your watercraft will be on so the handle is on the bow side of the winch.



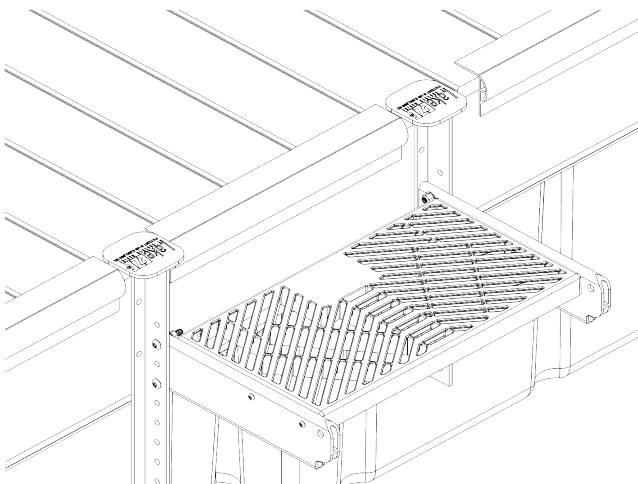
Note: Steps 4-6 may already be completed if curbside or wholesale pick-up.

Installation

The images below represent installation on solid side channel docks. To install on on web joist or I-Beam docks, adjust drilled hole location on dock bracket to meet drillable material on dock sideband.

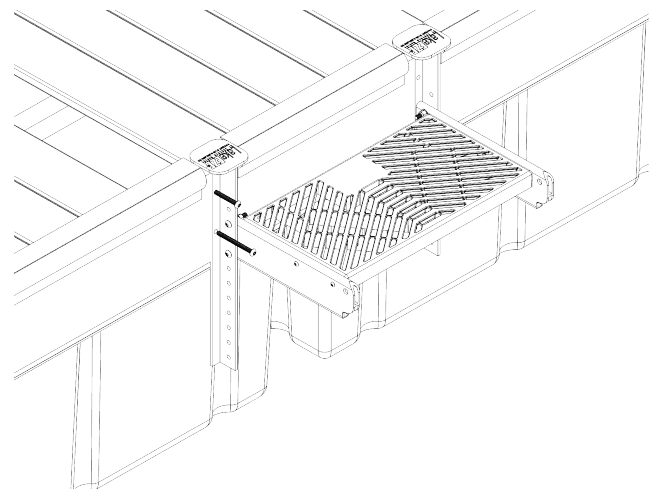
7) Determine which direction you will be entering the Stow and Go® from in your recreational watercraft. Orient the cradle so that the full loop is on the bow side of the kayak.

8) Determine Stow and Go® placement on dock. Set step assembly in place and mark cap plates location on edge bumper. On the bow side of the step assembly, trim an additional 2 1/2" of edge bumper outside of the Step Bracket. Remove step assembly and trim edge bumper with razor blade. **(Note: we recommend tying a rope to the step assembly in case of dropping.)**

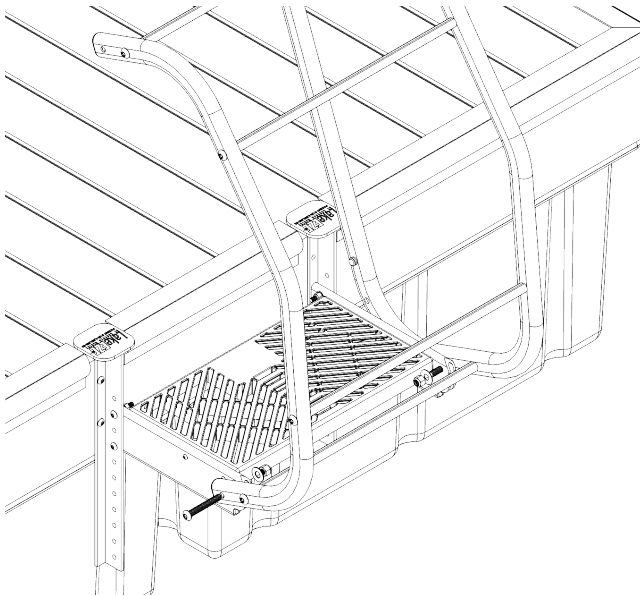


9) Remove any deck boards necessary to gain access to the underside of your dock.

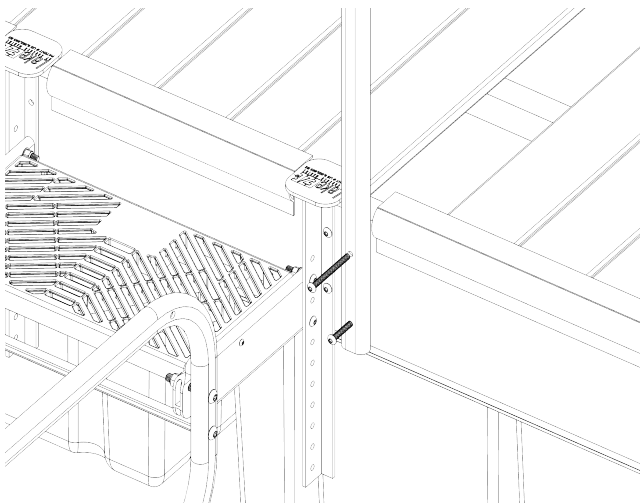
10) Replace step assembly, and drill top and bottom of each dock bracket, through the structural side member of your dock with 3/8" drill bit. Bolt step assembly to dock using (x4) 3/8"x4" bolts from Bag C.



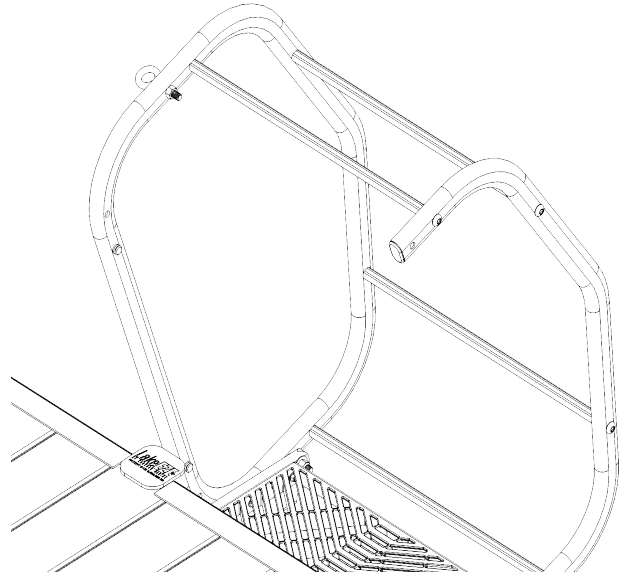
11) Attach cradle assembly to lakeward edge of step assembly using hardware from Bag D. Insert the plastic washers between the cradle and step assemblies. Tighten bolts to flush. **(Note: Do not over-tighten as this will prevent smooth rotation of the assembly.)**



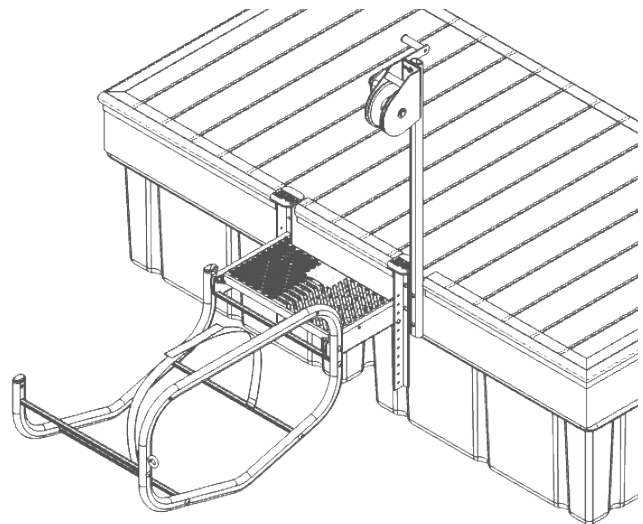
12) Place winch assembly flush with bottom of dock structure on the side with additional edge bumper cut-out. Drill winch post and dock structure with 3/8" drill bit and attach using x2 of the 3/8"x4" bolts from Bag C.



13) Lift the cradle into the up position. Insert the eyebolt from Bag D into the open hole on the outside of the full loop. Attach winch strap to eyebolt.



14) Load your recreational watercraft and cycle the Stow and Go® with winch to make sure it functions properly.



Installation of LakeEze® Stow and Go® is Complete.

For additional information, product warranties, and to learn more about our innovation accessories, please visit lakeeze.com



2227 Blue Ridge Boulevard
Seneca, SC 29672
sales@lakeeze.com
864-581-3469
lakeeze.com

*Lake***EZE**[®]
BY KROEGER MARINE